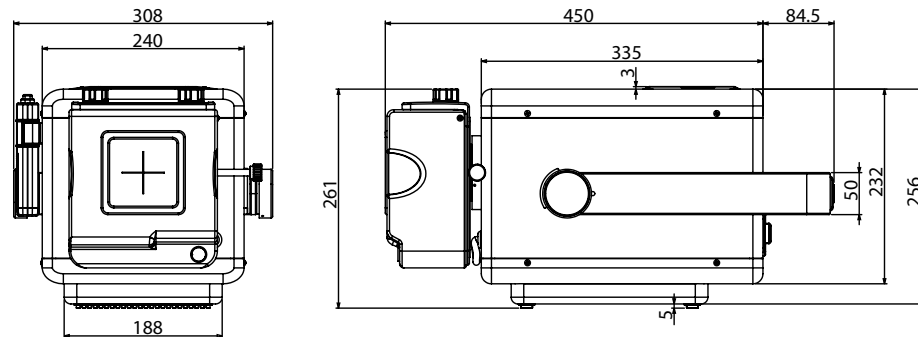




Size



Specification

Type	5kW Portable		RAD	kV	40-110kV (1kV Step ±8%)
	Max Power	5kW		mAs (mA)	0.32-200mAs (±10% +0.2mAs) (20-100mA (±20%))
Input Power	AC		Collimator	<ul style="list-style-type: none"> * Digital servo motor blade control * Ultrasonic SID measurement * 5" display * kV, mAs, APR control 	
	120V / 220-240V 50/60 Hz, 10A			Operation Panel	5" LCD & Membrane Key
X-Ray Tube	Type	Monoblock	Movement	Manual Movement	
	Focus	Focal 1.8 mm	Other	Wired Exposure Switch	

Product Catalogue

SPX-050-S



PORTABLE

SPX-050-S

5kW
120V / 220-240V



 **Wired Exposure Switch**

 **Ultracapacitor**

 **5" LCD UI**

 **Operation Panel**

 **Manual & Motorized Collimation**

 **Collimator Rotation 45°**

 **Ultrasonic Distance Sensor**

